



LIVE THE BRAAI LIFE

# CARRI CHEF 2

MODEL No 8910



## ASSEMBLY INSTRUCTIONS

**DE** AUFBAUANLEITUNG

**NL** MONTAGE-INSTRUCTIES

**FR** INSTRUCTIONS DE MONTAGE

**NO** MONTERINGSANVISNINGER





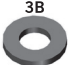




**DK** SAMUNGSVEJLEDNING






**IT** ISTRUZIONI DI MONTAGGIO

**ES** INSTRUCCIONES DE MONTAJE

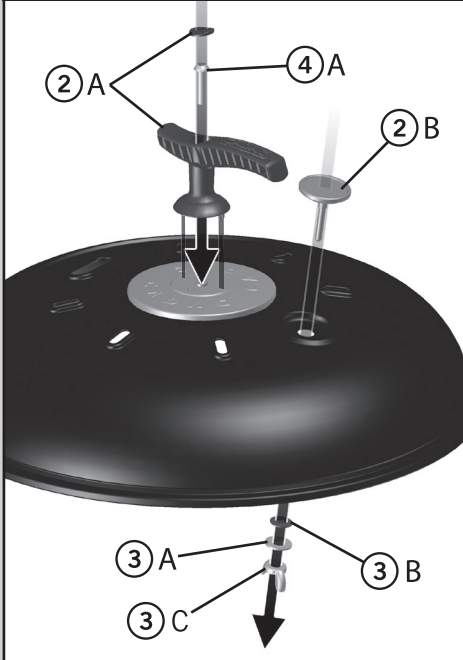
**PL** INSTRUKCJA MONTAŻU

**SE** MONTERINGSANVISNING

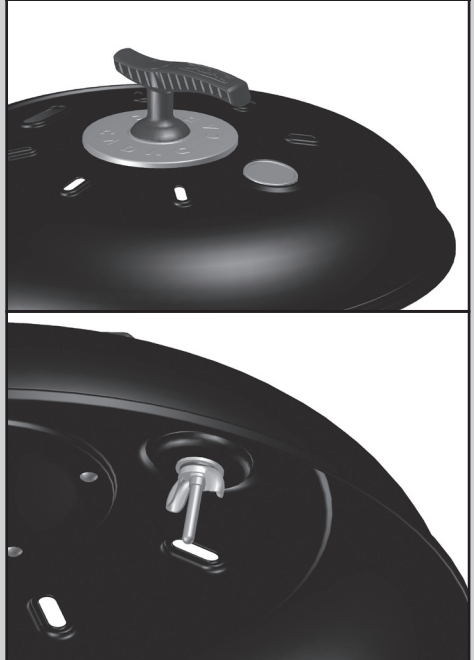
1	8910-10, 8910-20, 8910-30, 8910-40 & 8910-50 	x 1
2	8910-10, 8910-20, 8910-30, 8910-40 & 8910-50 2A  2B 	x 1 (2A) x 1 (2B)
3	8910-10, 8910-20, 8910-30, 8910-40 & 8910-50 3A  3B  3C 	x 1 (10A) (M8 SS) x 1 (10B) (M8 Rubber) x 1 (3C) (M8)
4	8910-10, 8910-20, 8910-30, 8910-40 & 8910-50 4A  4B 	x 1 (4A) (M8 x 30) x 1 (4B)
5		x 1

6		x 1
7	 (R)	x 1
8	 (L)	x 1
9		x 1
10		x 1

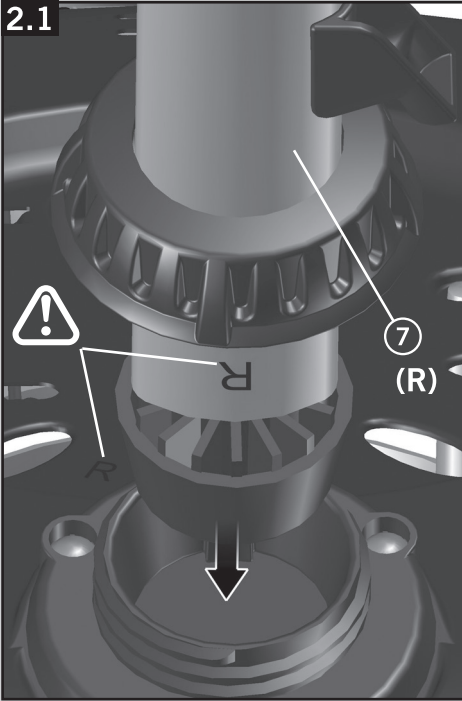
**1.2** 8910-10, 8910-20, 8910-30, 8910-40 & 8910-50



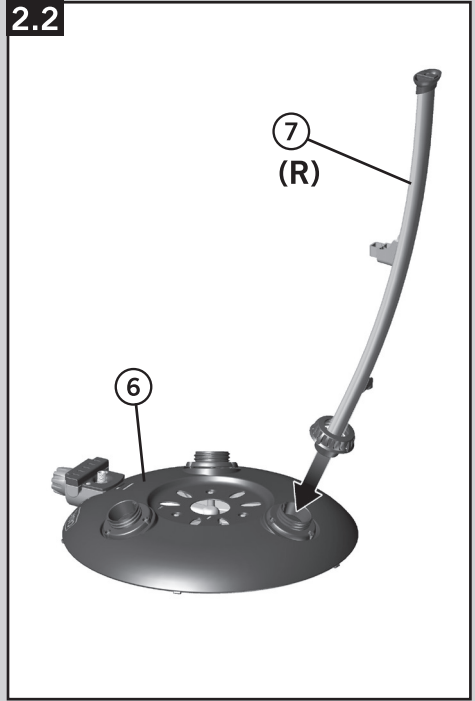
**1.1** 8910-10, 8910-20, 8910-30, 8910-40 & 8910-50



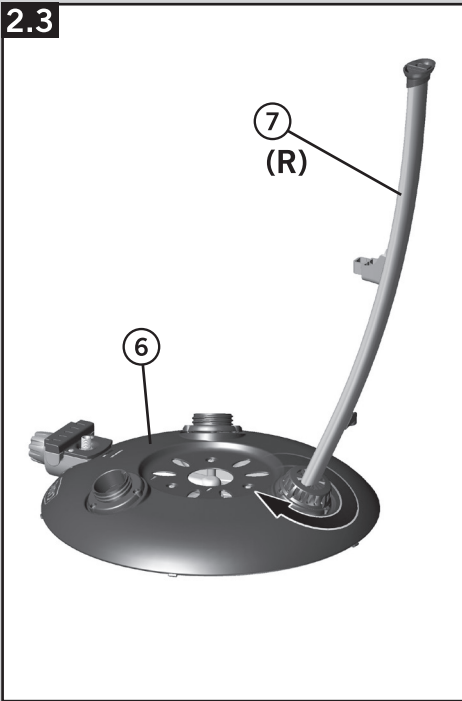
2.1



2.2



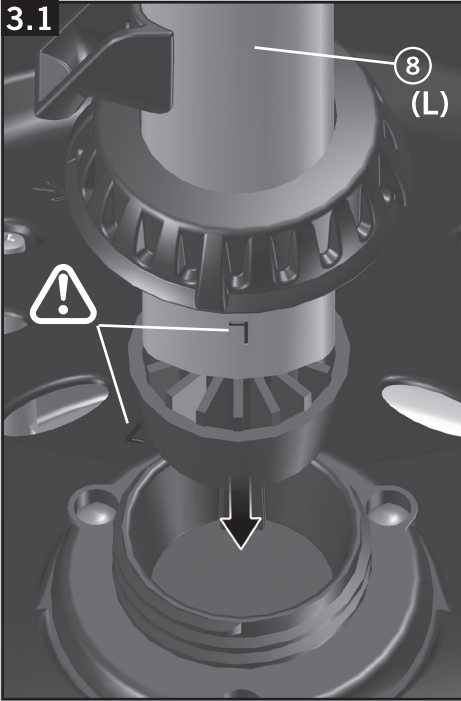
2.3



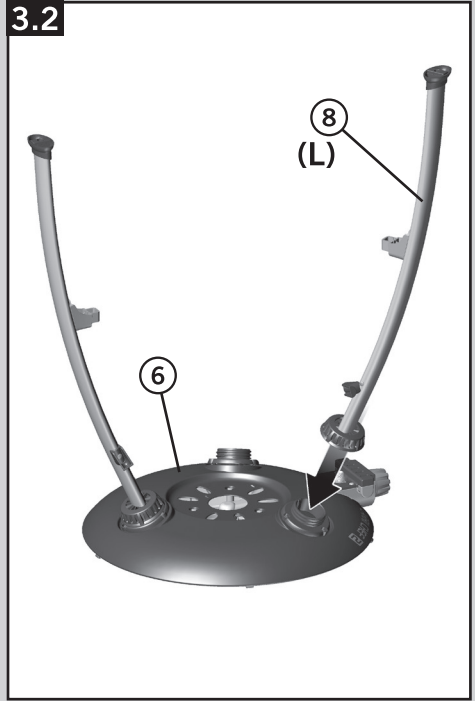
2.4



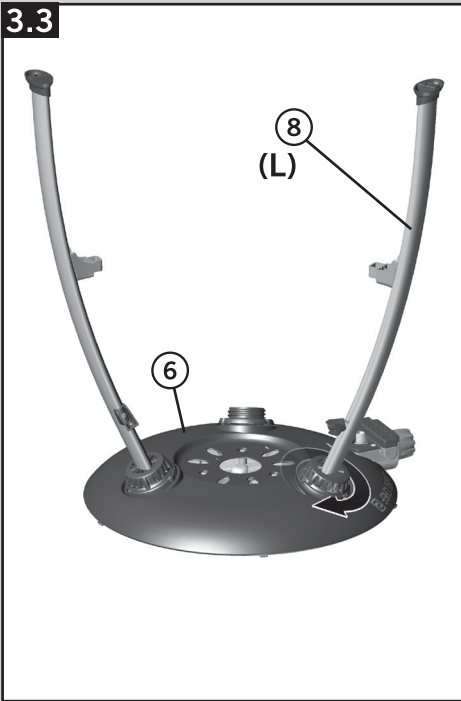
3.1



3.2



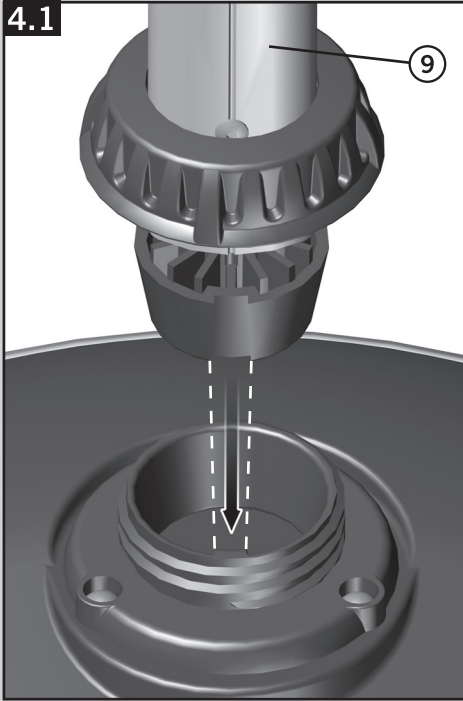
3.3



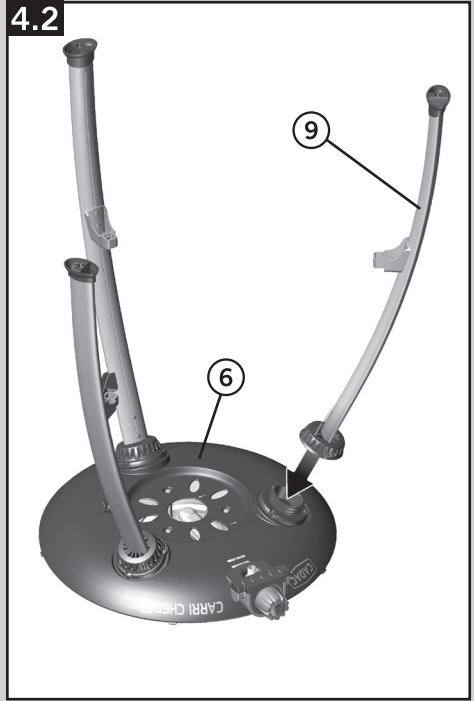
3.4



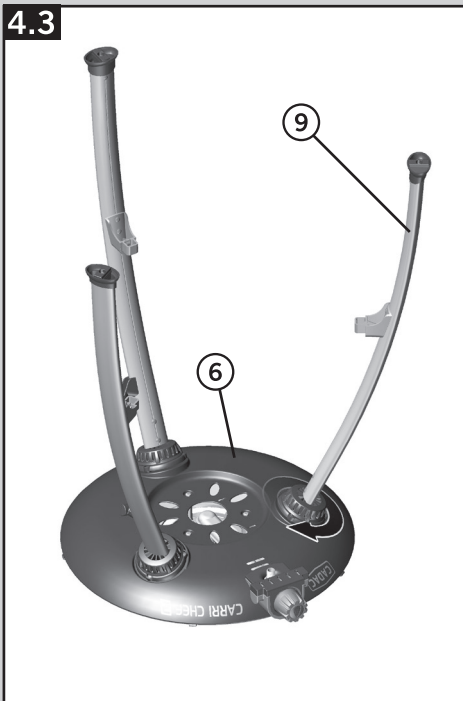
4.1



4.2



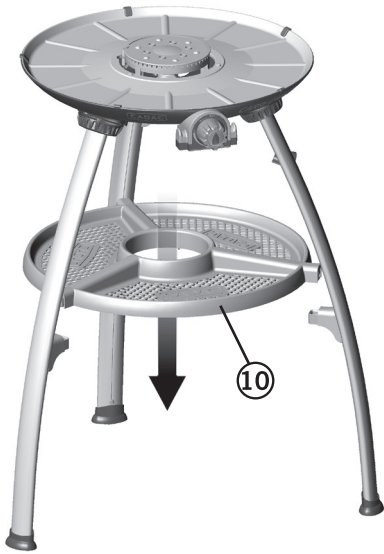
4.3



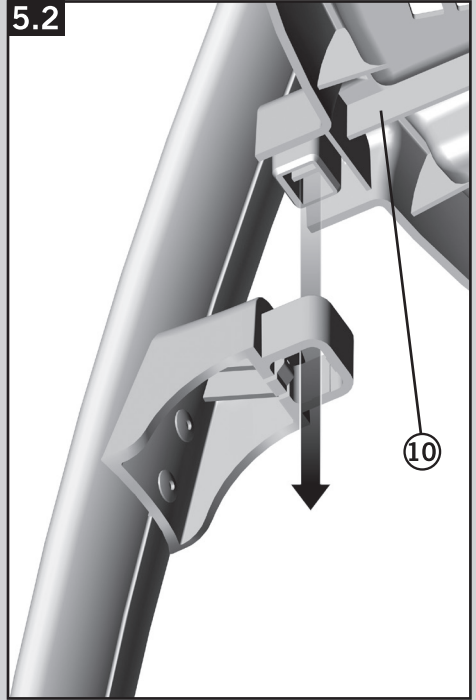
4.4



5.1



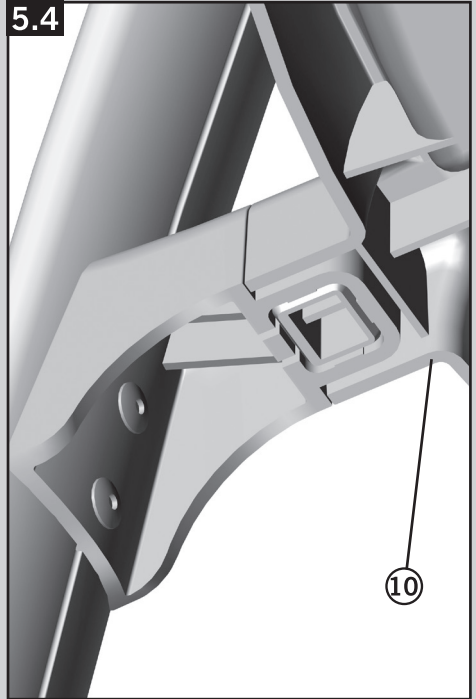
5.2



5.3



5.4



6.1



6.2



7.1 8910-10, 8910-20, 8910-30, 8910-40 & 8910-50



7.2 8910-10, 8910-20, 8910-30, 8910-40 & 8910-50



**8.1** 8910-10, 8910-20, 8910-30, 8910-40 & 8910-50



**8.2** 8910-10, 8910-20, 8910-30, 8910-40 & 8910-50

