

# AF126 Audible Flashing Alarm



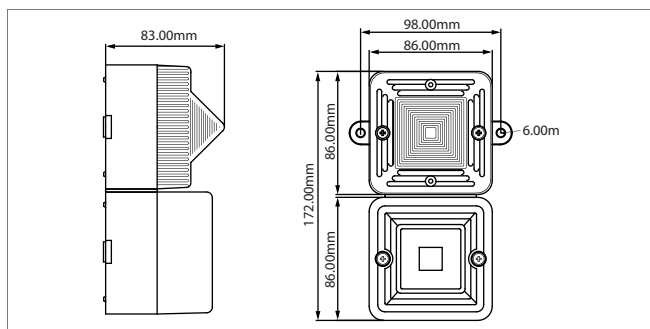
- 230V supply voltage and low power consumption
- Sounder maximum output 100dB(A)
- Sounder effective range 30m @ 1KHz
- Flash rate 1Hz (60fpm)
- 2 stage alarm
- Volume control
- Operational temperature from -25°C to 55°C
- Storage temperature from -40°C to 70°C
- 10 selectable tones
- IP55 protective rating

## Application

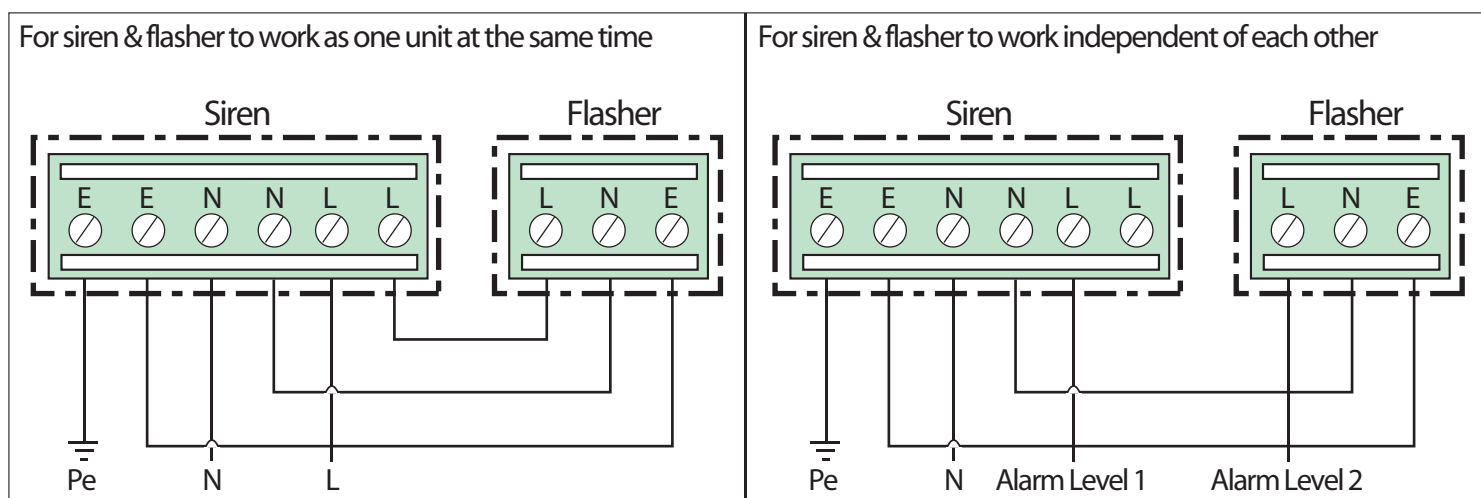
Audible and flashing alarm for industrial and commercial applications.

This unit has a two stage alarm, 10 different selectable alarm tones and has full volume control. The IP55 rated housing makes it robust enough to withstand the toughest of environments.

## Overall Dimensions



## Electrical Connections



**WARNING!** Incorrect installation, adjustment, modification, operation or maintenance may cause injury or material damage. Read the instructions before use. This unit must be installed in accordance with the regulations in force.



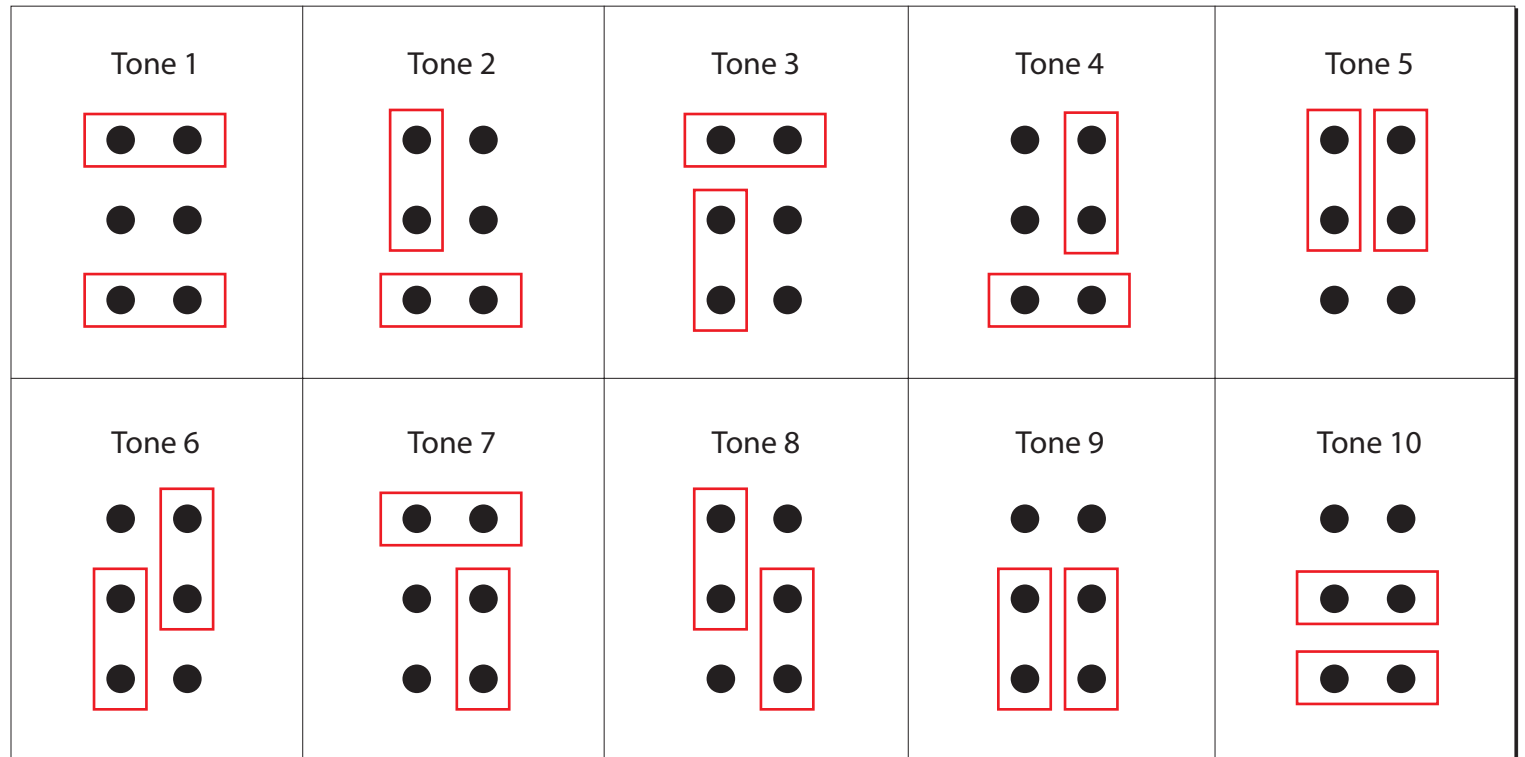
# Sound Selection Table

Using the jumpers on the PCB of the sounder it is possible to select different sounds for the AF126 (see table below).

**NOTE:** Please ensure the supply is OFF before changing any settings on the AF126. Always wear ear defenders when testing, installing and commissioning this device.

#	1st Stage Sound	Frequency (Hertz)	dB @ 1m	Sign Wave
1	Tone 1	800/1000 @ 0.25 sec	99dB(A)	
2	Tone 2	500/1200 @ 0.3Hz 0.5 sec	100dB(A)	
3	Tone 3	1200/500 @ 1Hz	99dB(A)	
4	Tone 4	544 (100mS)/440 (400mS)	97dB(A)	
5	Tone 5	1000Hz continuous	100dB(A)	
6	Tone 6	Bell	95dB(A)	
7	Tone 7	800/1000 @ 7Hz sweeping	95dB(A)	
8	Tone 8	2400/2900 @ 50Hz sweeping	100dB(A)	
9	Tone 9	420 @ 0.625 sec Australian alert	97dB(A)	
10	Tone 10	500 - 1200 3.75 sec / 0.25 sec Australian evacuation	100dB(A)	

## Sound Selection Configuration



Tones selection: To select a tone place the jumper in the position shown above.

